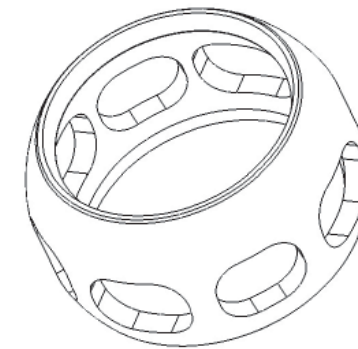


ROCKFORD

CONSTANT VELOCITY™

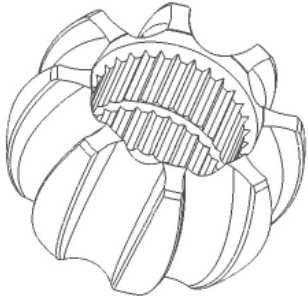


8 Ball Cages

| Outboard Applications | | | |
|--|----------|-------------|--|
| OD | Part No. | ID Markings | Where Used |
| *** (found in but not limited too)*** | | | |
| 2.143 | 720-0 | EBJ 82 | Subaru Rear Axles, Suzuki Liana |
| 2.265 | 722-0 | EBJ 87 | Subaru Front Axles, Suzuki Aerio |
| 2.406 | 724-0 | EBJ 92 | Mazda 6, Mitsubishi Elevation (Front and Rear), Mitsubishi Lancer 2.4L |
| 2.420 | 725-0 | No Marking | Ford Fusion, Mercury Milan, Toyota Rav 4 |
| 2.505 | 726-0 | EBJ 95 | Ford Fusion, Mercury Milan, Mazda 6 |
| 2.508 | 752-0 | EUJ 87 | Toyota Corolla |
| 2.513 | 726-0A | EBJ 95 M | Ford Fusion, Mazda 6, Mitsubishi Lancer |
| 2.635 | 727-0A | EBJ 100 M | Honda Odyssey, Nissan Altima, Nissan Murano |
| 2.726 | 728-0 | EBJ 104 | Jeep Grand Cherokee, Nissan Equator, Nissan Frontier, Nissan Pathfinder, Toyota Avalon, Toyota Camry |
| 2.743 | 728-0A | EBJ 104 M | Buick Enclave, Chevy Monte Carlo, GMC Acadia, Infinity FX35, Jeep Grand Cherokee, Mazda CX-9, Saturn Outlook |
| 3.080 | 730-0 | EBJ 117 | Nissan Armada, Nissan Titan |
| 3.105 | 730-0A | EBJ 117 M | Chevy Corvette 500HP |
| Inboard Applications | | | |
| OD | Part No. | ID Markings | Where Used |
| *** (found in but not limited too)*** | | | |
| 2.669 | 727-60 | EDJ 100 | Nissan Xterra |
| 2.884 | 728-60 | EDJ 104 | Jeep Grand Cherokee |
| 3.220 | 730-60 | EDJ 117 | Nissan Titan |

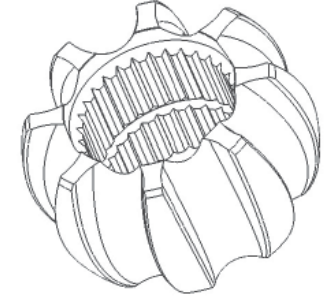
Don't see the part you need? We will make new cages and races you need.... Supply us with a cage, race & housing. We will return the housing with a couple sets of parts @ N/C

1-800-728-7237



ROCKFORD

CONSTANT VELOCITY™



8 Ball Inner Races

| Outboard Applications | | | | | *** (found in but not limited too)*** |
|-----------------------|-------|----------|-------------|--|---------------------------------------|
| OD | Teeth | Part No. | ID Markings | Where Used | |
| 1.913 | 29T | 720-018 | EBJ 82 | Subaru WRX Rear Axles | |
| 1.913 | 29T* | 720-018A | | Suzuki Liana (teeth of inner race are bigger - aprox 0.013") | |
| 2.015 | 30T | 722-018 | EBJ 87 | Subaru WRX Front Axles | |
| 2.130 | 32T | 725-018 | No Marking | Ford Fusion, Mercury Milan, Toyota Rav 4 | |
| 2.132 | 32T | 724-018 | EBJ 92 | Mazda 6 | |
| 2.107 | 30T | 752-018 | EUJ 87 | Toyota Corolla | |
| 2.207 | 33T | 726-018A | EBJ 95 M | Ford Fusion, Mazda 6, Mitsubishi Lancer | |
| 2.213 | 33T | 726-018 | EBJ 95 | Ford Fusion | |
| 2.301 | 35T | 727-018A | EBJ 100 M | Honda Odyssey, Nissan Altima, Nissan Murano, Jeep Wrangler (Lineshaft) | |
| 2.404 | 36T | 728-018A | EBJ 104 M | Buick Enclave, Chevy Monte Carlo, GMC Acadia, Infinity FX35, Jeep Grand Cherokee, Mazda CX-9, Saturn Outlook | |
| 2.414 | 36T | 728-018 | EBJ 104 | Jeep Grand Cherokee, Nissan Equator, Nissan Frontier, Nissan Pathfinder, Toyota Avalon, Toyota Camry | |
| 2.713 | 40T | 730-018A | EBJ 117 M | Chevy Corvette 500HP | |
| 2.726 | 40T | 730-018 | EBJ 117 | Nissan Armada, Nissan Titan | |
| Inboard Applications | | | | | *** (found in but not limited too)*** |
| OD | Teeth | Part No. | ID Markings | Where Used | |
| 2.234 | 35T | 727-068 | EDJ 100 | Nissan Xterra | |
| 2.411 | 36T | 728-068 | EDJ 104 | Jeep Grand Cherokee | |
| 2.700 | 40T | 730-068 | EDJ 117 | Nissan Titan | |

Don't see the part you need? We will make new cages and races you need.... Supply us with a cage, race & housing. We will return the housing with a couple sets of parts @ N/C

1-800-728-7237