



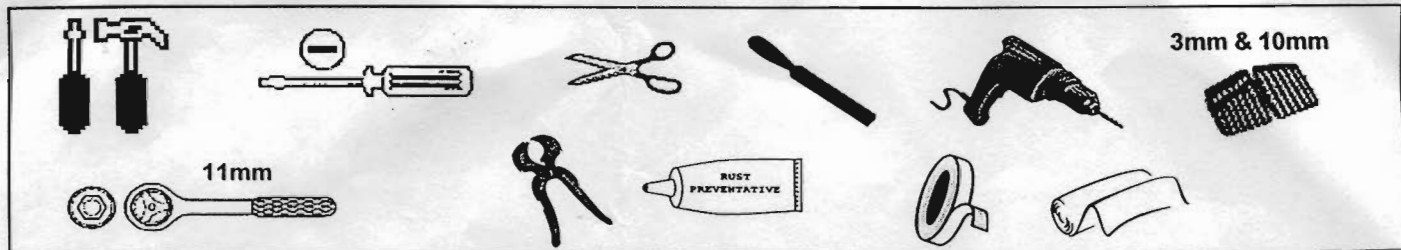
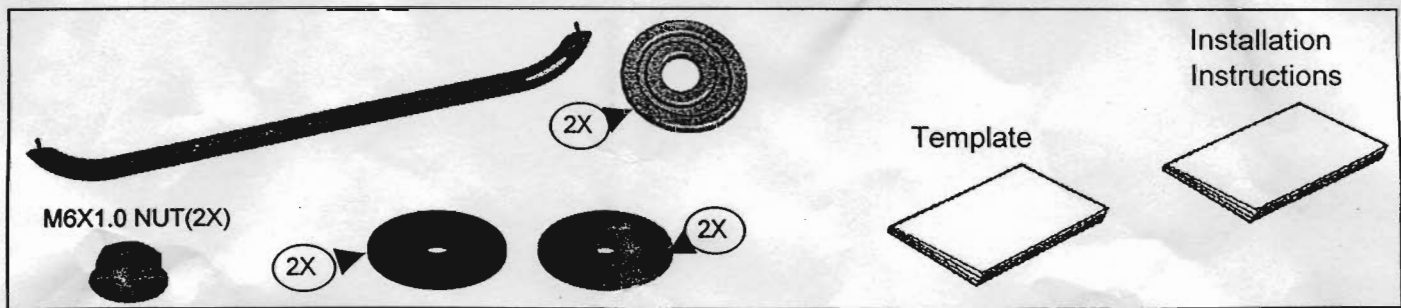
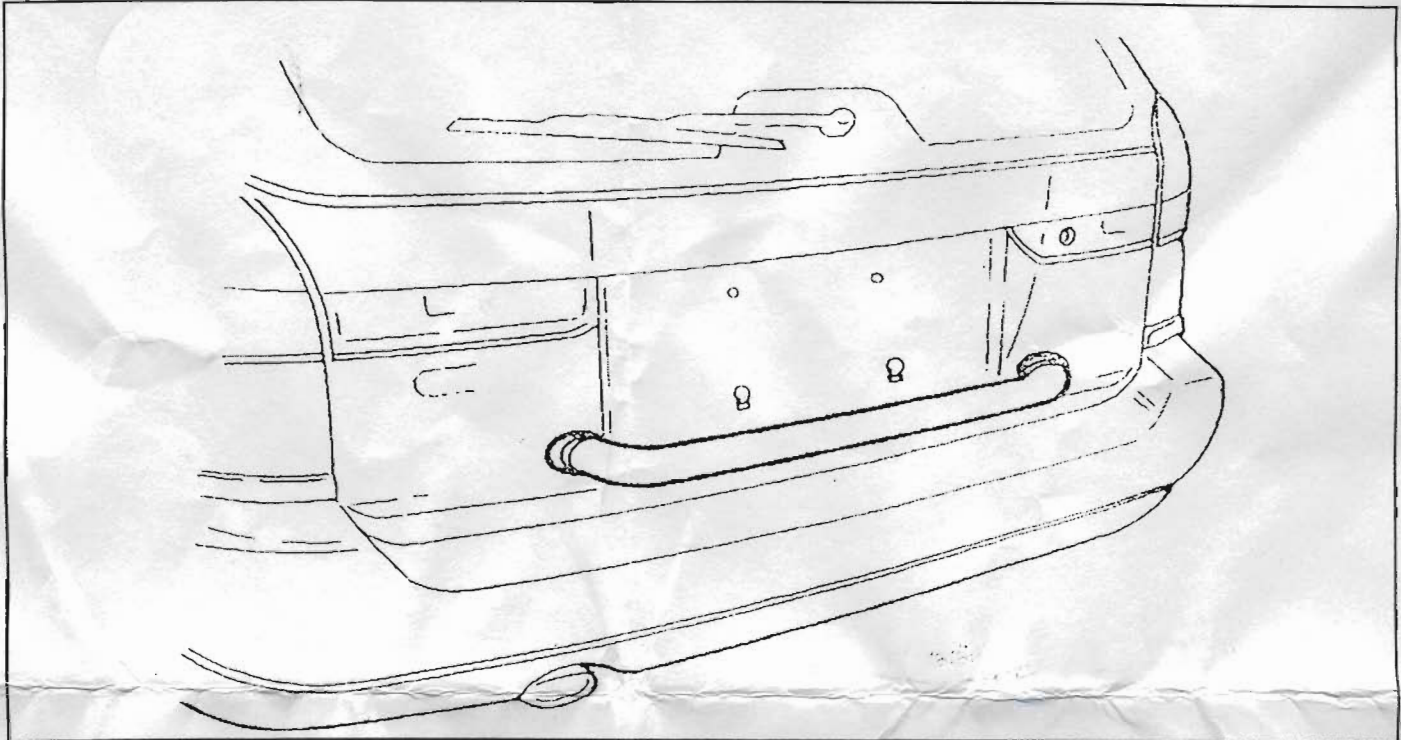
SUBARU

Part number

E7510LS002

Installation Instruction:

REAR GATE BAR

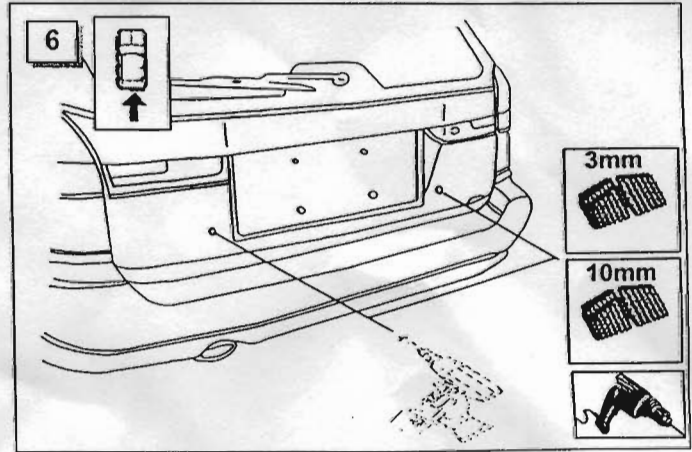
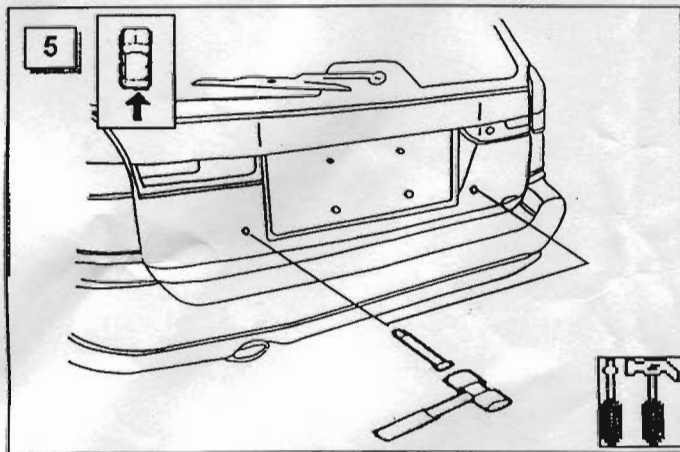
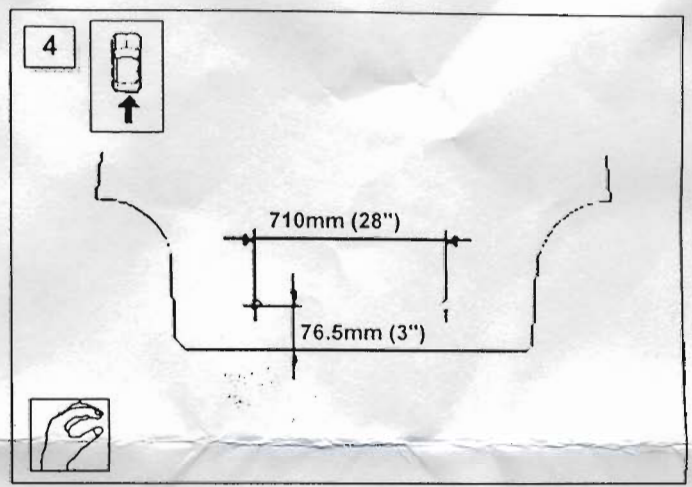
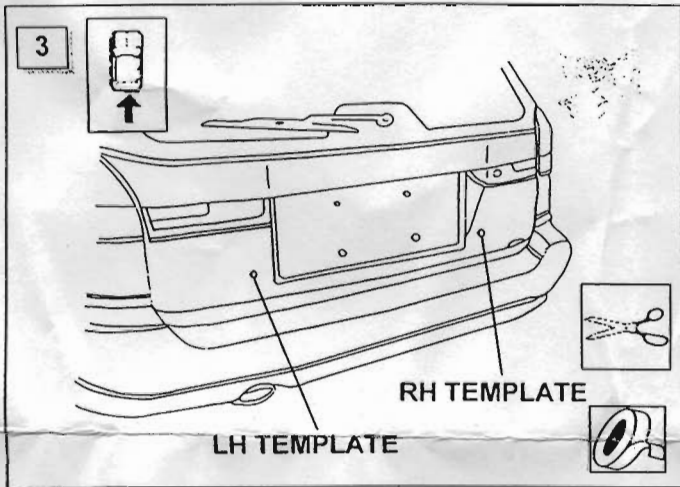
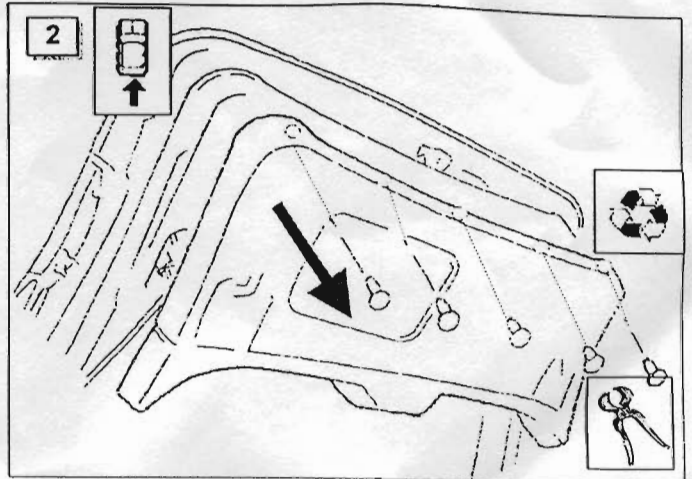
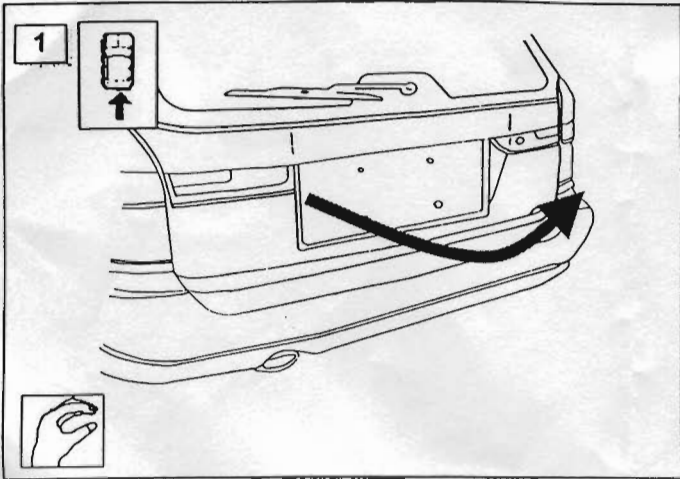


Part number
E7510LS002

Date
2002/04/12

Subaru of America

Page
1/3



Part number
E7510LS002

Date
2002/04/12

Subaru of America

Page
2/3

